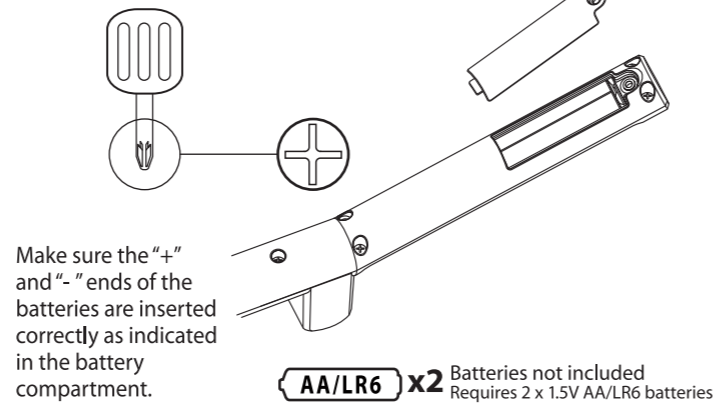




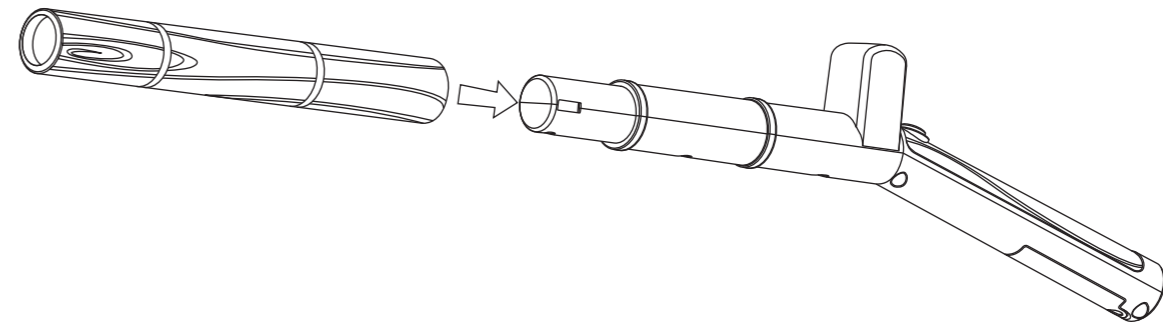
# Jedi Force™ Levitator

## 1 INSTALL BATTERIES

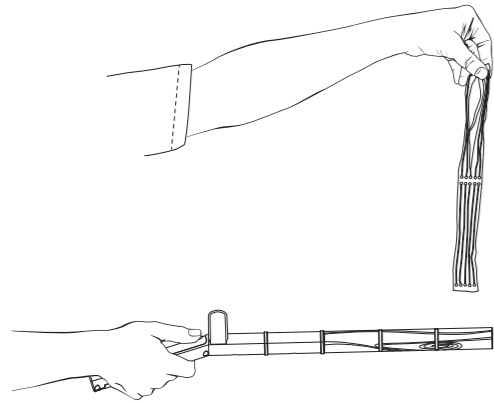


Make sure the "+" and "-" ends of the batteries are inserted correctly as indicated in the battery compartment.

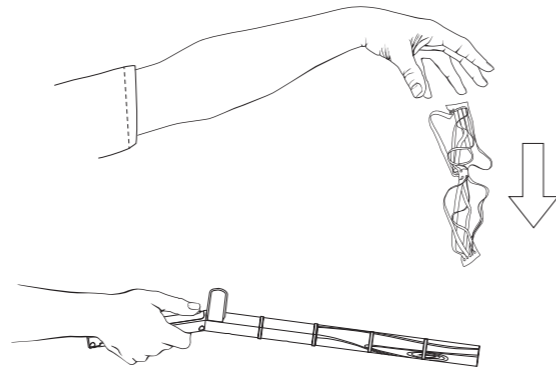
## 2 ASSEMBLE THE JEDI TRAINING ROD



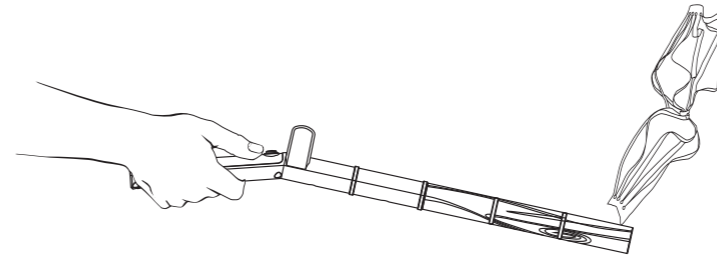
## 3 Hold the Force Deflector above the Training Rod while pressing its button



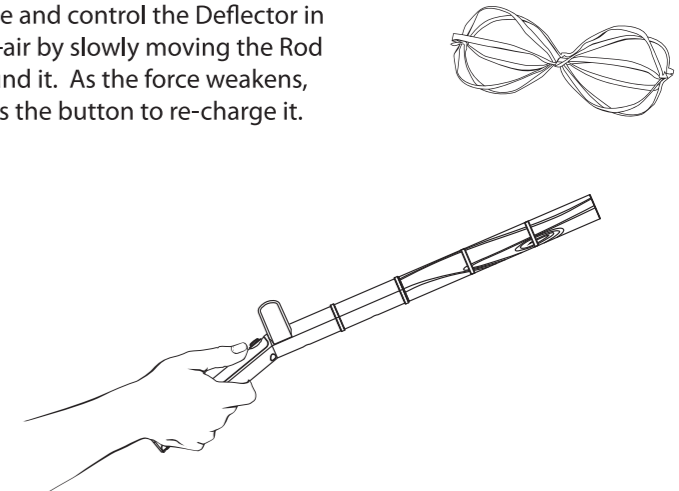
## 4 Release the Deflector while still pressing the button



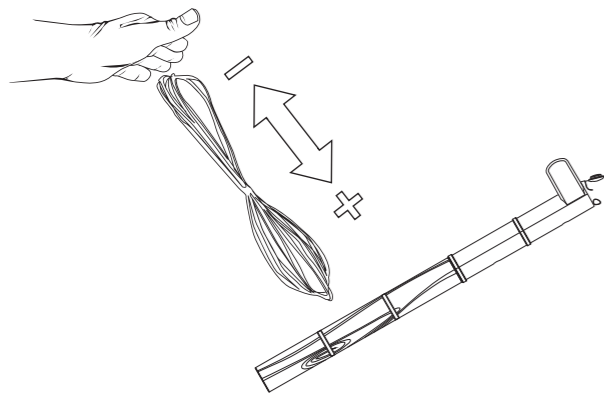
## 5 As the Deflector touches the Rod, release the button and gently shake the Rod up and down until the Deflector floats in mid-air



## 6 Move and control the Deflector in mid-air by slowly moving the Rod around it. As the force weakens, press the button to re-charge it.

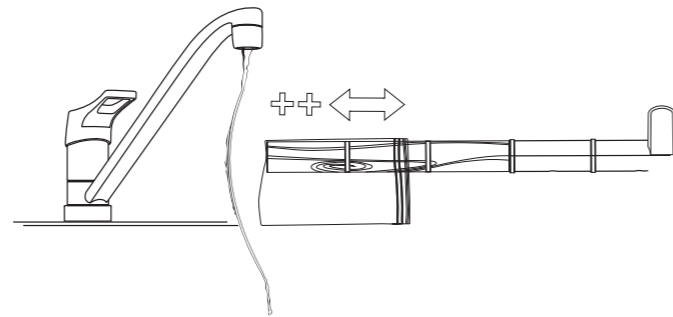


### Force Push And Force Pull Using Your Hands!



### Bend A Water Stream!

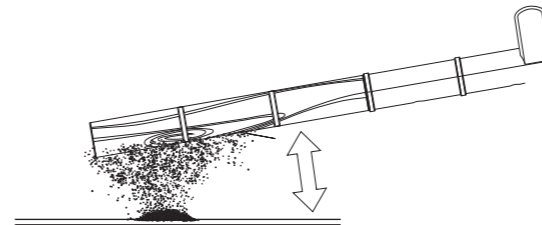
Important: Do not get the Rod wet. Place a plastic sandwich bag over the tube first.



### OTHER EXPERIMENTS USING THE FORCE!

#### Create A Dust Storm!

Place salt on a table and watch it fly!



#### Force Battle With Your Friends!



This product and its batteries must be disposed of separately at your local waste recycling centre. Do not dispose them in your household waste bin.

**WARNING:**  
CHOKING HAZARD - Small parts.  
Not for children under 3 years.

KEEP THESE INSTRUCTIONS FOR FUTURE REFERENCE — DO NOT DISCARD

Questions? Visit [unclemilton.com](http://unclemilton.com)

#### BATTERY SAFETY INFORMATION

- Only adults should install and replace batteries.
- Non-rechargeable batteries are not to be recharged.
- Rechargeable batteries are to be removed from the toy before being charged.
- Rechargeable batteries are only to be charged under adult supervision.
- Different types of batteries or new and used batteries are not to be mixed.
- Batteries are to be inserted with the correct polarity.
- Exhausted batteries are to be removed from the toy.
- The supply terminals are not to be short-circuited.
- Do not mix old and new batteries.
- Do not mix alkaline, standard (carbon-zinc) or rechargeable (nickel-cadmium) batteries.
- Do not dispose of batteries in fire. Battery may explode or leak.
- Batteries should be recycled or disposed of as per state and local guidelines.