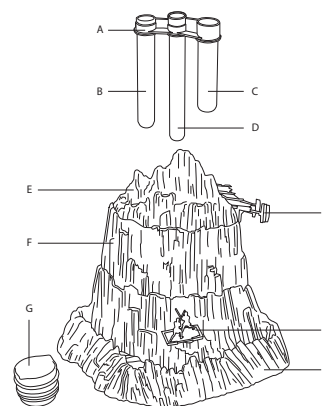


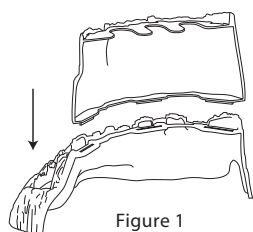
### Components included

- A) Magma chamber holder (for three magma chambers)
- B) Magma chamber - shield volcano (middle-size test tube)
- C) Magma chamber - cinder cone volcano (shortest test tube)
- D) Magma chamber - composite volcano (longest test tube)
- E) Volcano top section
- F) Volcano middle section
- G) Crucible
- H) Volcanic ore refinery
- I) Platform with Anakin and Obi-Wan figures
- J) Volcano base section

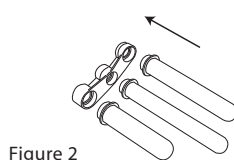


**KEEP THESE INSTRUCTIONS FOR FUTURE REFERENCE - DO NOT DISCARD**

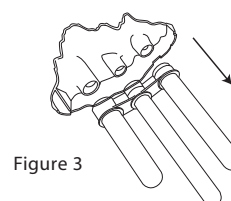
1. Insert the three tabs of the middle section into the base section (Figure 1).



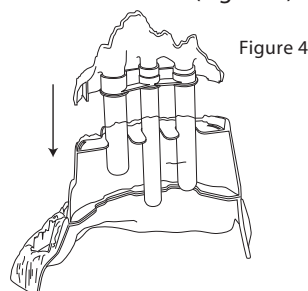
2. Insert the three chambers into the matching holes in the magma chamber holder (Figure 2).



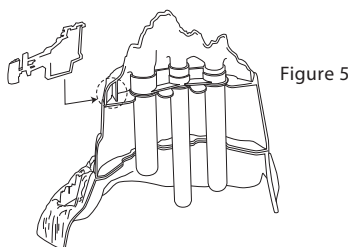
3. Insert the top section into the magma chamber holder (Figure 3).



4. Insert the three tabs of the top section (with magma chambers and holder attached) into slots of the middle section (Figure 4).



5. Insert the volcanic ore refinery into the corresponding hole on back of the volcano (Figure 5).



6. Place the platform onto the plateau on the base. Careful, the lava flows may knock Anakin and Obi-Wan off the edge!

#### Items needed

To begin your experiments in volcanic eruptions you will need to provide the following items:

- Liquid dish soap
- Baking soda
- Vinegar
- Club soda
- Food coloring (red and yellow)
- Antacid tablets (for use under adult supervision in Experiment 3)

#### Experiments

Experiments can be messy. Be sure to lay down some newspaper in case of excess "lava" flow. In each experiment, note the differences of the three magma chambers which represent three types of volcanoes (cinder cone, shield and composite volcanoes).

##### Experiment 1

(use liquid dish soap, baking soda and food coloring):

1. Put 3 drops of dish soap into one of the magma chambers.
2. Add 1 tablespoon of baking soda to magma chamber.
3. Fill the crucible to the top of inside lines with club soda.
4. Add three drops of red food coloring and 1 drop of yellow food coloring to the club soda.
5. Pour the colored club soda into magma chamber and watch the eruption as the chemicals interact.

##### Experiment 2

(use liquid dish soap, baking soda, vinegar and food coloring):

1. Put 3 drops of dish soap into one of the magma chambers.
2. Add 1 tablespoon of baking soda to magma chamber.
3. Fill the crucible to the top of inside lines with vinegar.
4. Add three drops of red food coloring and 1 drop of yellow food coloring to the vinegar.
5. Pour the colored vinegar into magma chamber and watch the eruption as the chemicals interact.

When you use vinegar instead of club soda, what are the differences?

##### Experiment 3 –Do under ADULT SUPERVISION only!

For 12 years of age and older (use liquid dish soap, club soda, food coloring and antacid tablet):

1. Put 3 drops of dish soap into one of the magma chambers.
2. Fill the crucible to the top of inside lines with club soda.
3. Add three drops of red food coloring and 1 drop of yellow food coloring to the club soda.
4. Pour the colored club soda into magma chamber.
5. Break half of an antacid tablet into small pieces (so they fit into magma chamber), drop them in and watch the eruption as the chemicals interact.

#### Cleaning

After you are finished with each experiment, disassemble the volcano and wash the parts in warm water and mild liquid dish soap, then rinse off in warm water.

**DO NOT WASH PARTS IN DISHWASHER.**

Questions? Go to  
[www.unclemilton.com](http://www.unclemilton.com)

**Uncle Milton**

© 2015 UMI. All rights reserved.  
® and ™ designate U.S. trademarks of Uncle Milton Industries, Inc.  
P.O. Box 6281 Thousand Oaks, CA 91359 USA.  
Printed in China. Product and colors may vary.

© & ™ Lucasfilm Ltd.  
All rights reserved.